

Electrical Box

Electrical Box Replacement Kits

To order a complete electrical box replacement kit, add a K-Prefix to the model number of your operator for example:

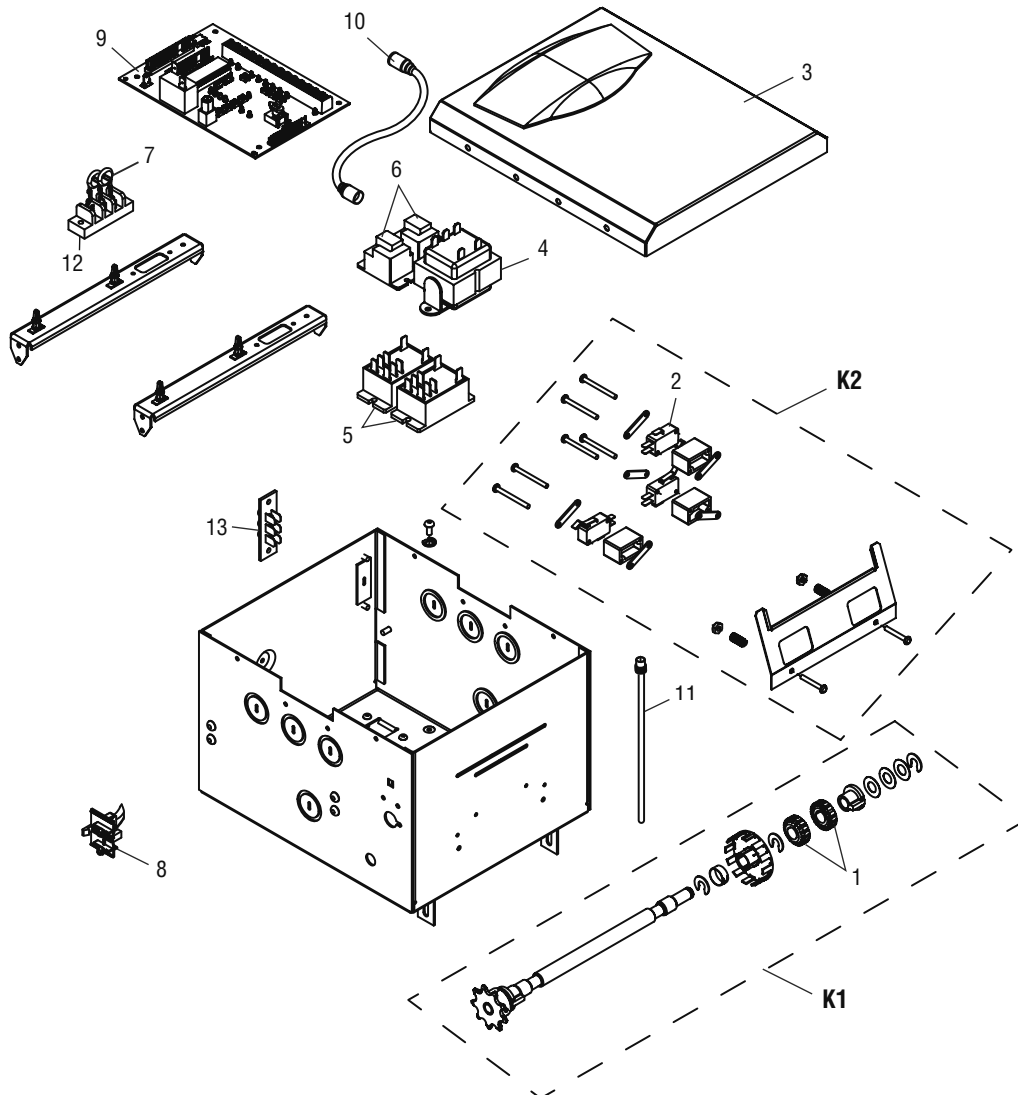
H5011L4 (Operator) = K-H5011L4 (Electrical Box Kit)

Service Kits

ITEM	PART#	DESCRIPTION
K1	K72-14130-1	Limit Shaft Kit Complete with: Limit Shaft, Limit Nuts, Limit Bearings, Limit Sprocket, Interrupter Cup, Shim Washers, Compression Ring, Roll Pin and E-Rings.
K2	K72-12515-1	Limit Switch Kit Complete with: Limit Nut Retainer, Switch Plates, Backup Plate, Depress Plates, Limit Switches, Standoffs, Screws and Locknuts.

Individual Parts

ITEM	PART#	DESCRIPTION
1	13-10024	Limit Nut
2	23-10041	Limit Switch
3	K75-35626	Cover
4	21-14182	Transformer, 115/230 Volts, 20Va
	21-35057	Transformer, 460 Volts, 40Va
	21-35077	Transformer, 575 Volts, 40Va
5	29-31244	Relay, 24 Vdc DPST (A & B Relay) All Operators
6	29-31245	Relay, 12 Vdc SPDT (C & D Relay) 3 Phase Only
	29-31229	Relay, 24 Vdc SPDT (C Relay) 1 Phase Only
7	K74-31243	MOV 580 Volts
8	K79-15016-1	RPM Sensor Assembly
9	K1A6837	Logic Board - L4
10	K2A761	Coaxial Cable
11	K1C3196-3	Antenna
12	42-31246	Terminal Block
13	42-10040	Terminal Block, Radio



Model J

Service Kits

ITEM	PART#	DESCRIPTION
K1	K72-19975	Clutch Shaft Kit Complete with: Clutch Shaft, 1" Keyed Flange Bearings, Dual Sprocket 32/14, Splined Core Sprocket, E-Ring, Compression Spring, Pulley Assembly, Washers, Thrust Bearing, Retaining Ring, Splined Hub and Roll Pin.
K2	K72-19974	Output Shaft Kit Complete with: Output Shaft, Sprocket Assembly, Dual Sprocket 32/14, Sprocket 48B18x1" Bore, Sprocket 50B12x1" Bore, Ring, Washers, Set Screw, Roll Pin and Thin Walled Receiver.

NOT SHOWN

71B120	Brake Kit, 115 Volt Models
71B208	Brake Kit, 208 Volt Models
71B240	Brake Kit, 230-460 Volt Models
71B575	Brake Kit, 575 Volt Models Complete with: Brake Hub Kit, Brake Release Lever, Brake Disk, Spring Cup, Studs, Compression Springs, Brake Solenoid, Solenoid Cover, Spacers, Mounting Plate, Pressure Plate, Feather Key and Conduit.

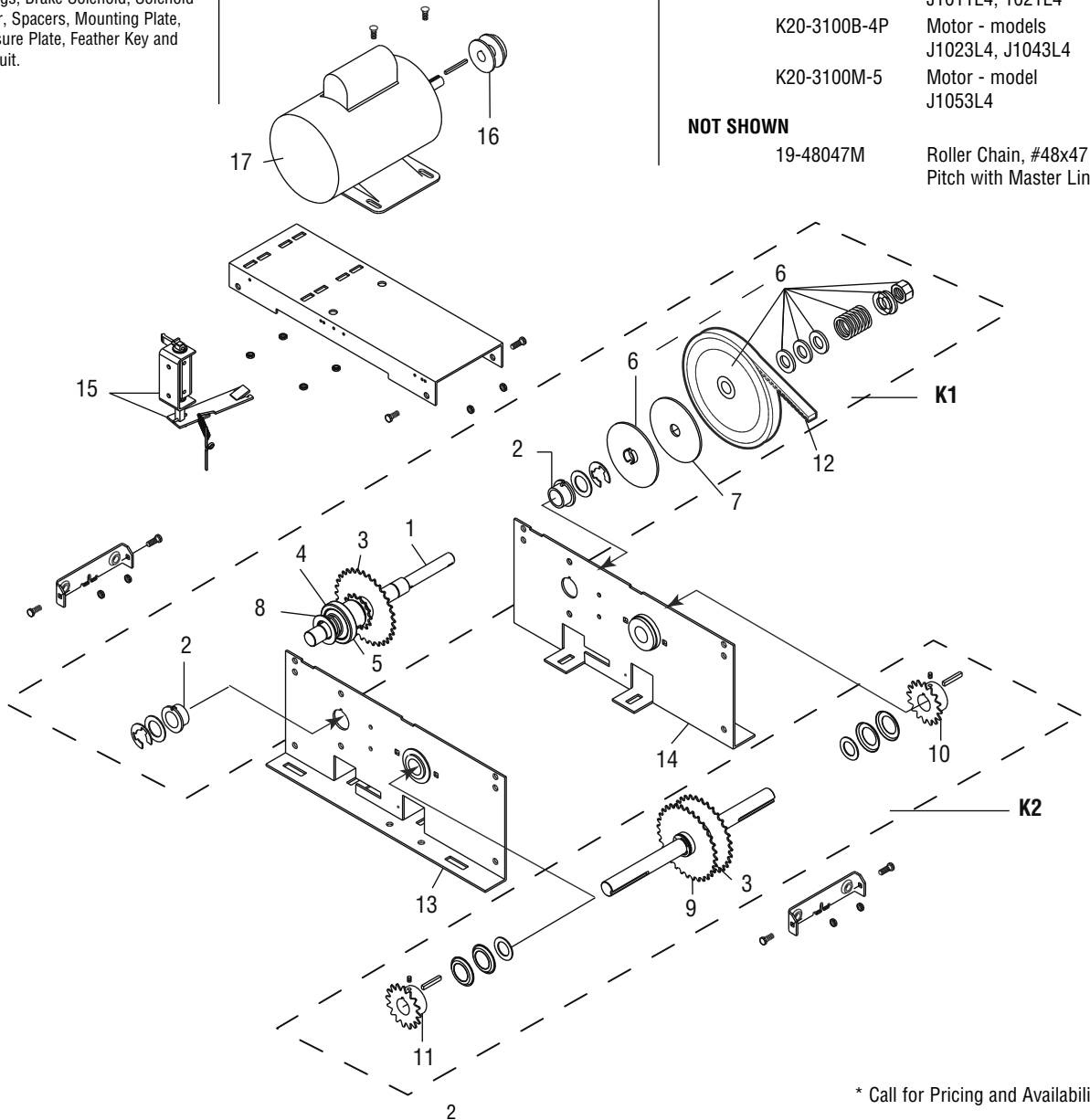
Individual Parts

ITEM	PART#	DESCRIPTION
1		Clutch Shaft - J (Available only in complete Clutch Shaft Kit)
2	12-19504	Keyed Flange Bearing 1"
3	15-30822	Dual Sprocket 32/14*
4	15-19484	Splined Core Sprocket
5	18-30957	Compression Spring
6	K75-19985	Pulley Assembly
7	39-10167	Clutch Pad
8	80-19846	Splined Hub, J Disconnect
9	15-19478	Sprocket Assembly
10	15-48B18LGE	Sprocket 48B18x1"
11	15-50B12LGH	Sprocket 50B12x1"
12	16-5L304	Cogged Belt 30.4"
13	K75-19978-L	Frame Kit (LH)
14	K75-19978-R	Frame Kit (RH)
15	K75-19977	J Arm Kit
16	17-6014	Motor Pulley

ITEM	PART#	DESCRIPTION
17		
1/3HP	K20-1033B-2LP	Motor - models J3311L4, J3321L4
	K20-3033B-4P	Motor - models J3323L4, J3343L4
	K20-3033M-5	Motor - model J3353L4
1/2HP	K20-1050B-2LP	Motor - models J5011L4, J5021L4
	K20-3050B-4P	Motor - models J5023L4, J5043L4
	K20-3050M-5	Motor - model J5053L4
3/4HP	K20-1075B-2P	Motor - models J7511L4, J7521L4
	K20-3075B-4P	Motor - models J7523L4, J7543L4
	K20-3075M-5	Motor - model J7553L4
1HP	K20-1100B-2LP	Motor - models J1011L4, 1021L4
	K20-3100B-4P	Motor - models J1023L4, J1043L4
	K20-3100M-5	Motor - model J1053L4

NOT SHOWN

19-48047M	Roller Chain, #48x47 Pitch with Master Link
-----------	---



* Call for Pricing and Availability

Model H

Service Kits

ITEM	PART#	DESCRIPTION
K1	K72-19979	Clutch Shaft Kit Complete with: Clutch Shaft, Keyed Flange Bearing, Dual Sprocket 32/14, 14 Tooth Sprocket, E-Ring, Compression Spring, Chain Wheel Assembly, Pulley Assembly, Chain Guide Assembly, Shim Washer, Washer, Thrust Washer and Roll Pins.
K2	K72-19974	Output Shaft Kit Complete with: Output Shaft, Sprocket Assembly, Dual Sprocket 32/14, Sprocket 48B18x1", Sprocket 50B12x1", Ring, Washer, Key, Set Screw, Roll Pin and Thin Walled Receivers.

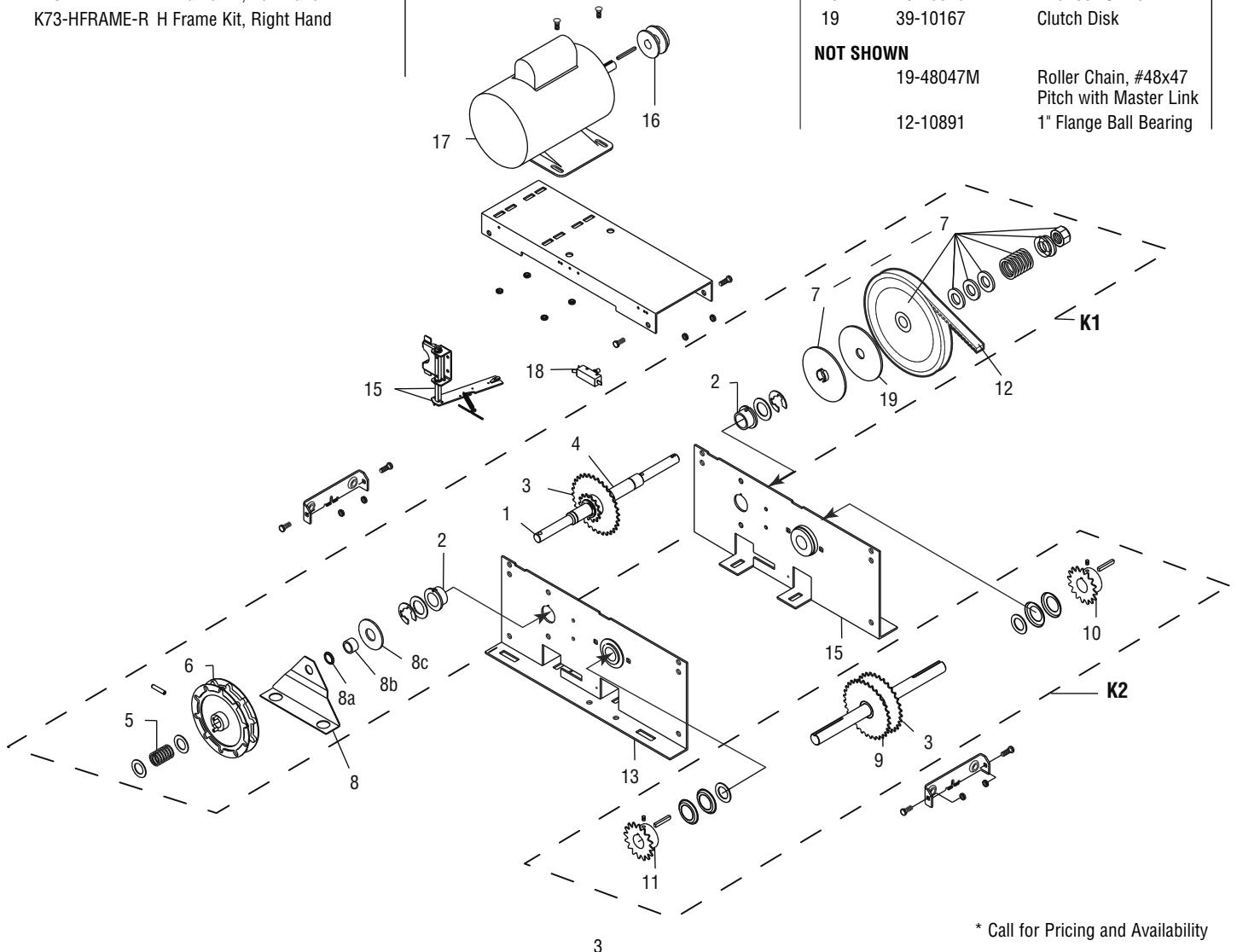
NOT SHOWN

71-B120H	Brake Kit, 115 Volt Models
71-B208H	Brake Kit, 208 Volt Models
71-B240H	Brake Kit, 230-460 Volt Models
71-B575H	Brake Kit, 575 Volt Models Complete with: Brake Hub Kit, Brake Release Lever, Brake Disk, Spring Cup, Studs, Compression Springs, Brake Solenoid, Solenoid Cover, Spacers, Mounting Plate, Pressure Plate, Feather Key and Conduit.
K73-HFRAME-L	H Frame Kit, Left Hand
K73-HFRAME-R	H Frame Kit, Right Hand

Individual Parts

ITEM	PART#	DESCRIPTION
1	11-19471	Clutch Shaft - H
2	12-19504	Keyed Flange Bearing 1"
3	15-30822	Dual Sprocket 32/14*
4	15-19481	Sprocket, 14 Tooth
5	18-11379	Compression Spring
6	75-10884	Chain Wheel Assembly
7	K75-19985	Pulley Assembly
8	10-10882	Chain Guide
8a	12-10883	Nyliner Bearing
8b	12-10882	Bushing .753 I.D. x 5/8"
8c	80-10883	Washer Spacer
9	15-19478	Sprocket Assembly
10	15-48B18LGE	Sprocket 48B18x1"
11	15-50B12LGH	Sprocket 50B12x1"
12	16-5L304	Cogged Belt 30.4"
13	K75-19978-L	Frame Kit (LH)
14	K75-19978-R	Frame Kit (RH)
15	K75-19981	Arm Kit - H
16	17-6014	Motor Pulley

ITEM	PART#	DESCRIPTION
17		
1/3HP	K20-1033B-2LP	Motor - models H3311L4, H3321L4
	K20-3033B-4P	Motor - models H3323L4, H3343L4
	K20-3033M-5	Motor - model H3353L4
1/2HP	K20-1050B-2LP	Motor - models H5011L4, H5021L4
	K20-3050B-4P	Motor - models H5023L4, H5043L4
	K20-3050M-5	Motor - model H5053L4
3/4HP	K20-1075B-2P	Motor - models H7511L4, H7521L4
	K20-3075B-4P	Motor - models H7523L4, H7543L4
	K20-3075M-5	Motor - model H7553L4
1HP	K20-1100B-2LP	Motor - models H1011L4, H1021L4
	K20-3100B-4P	Motor - models H1023L4, H1043L4
	K20-3100M-5	Motor - model H1053L4
18	23-10916	Interlock Switch
19	39-10167	Clutch Disk
NOT SHOWN		
	19-48047M	Roller Chain, #48x47 Pitch with Master Link
	12-10891	1" Flange Ball Bearing



* Call for Pricing and Availability

Model HJ

Service Kits

ITEM	PART#	DESCRIPTION
K1	K72-19982	Clutch Shaft Kit Complete with: Clutch Shaft, Keyed Flange Bearing, Dual Sprocket 32/14, Splined Core Sprocket, E-Ring, Compression Spring, Pulley Assembly, Thick Washer, Thrust Bearing, Retaining Ring, Splined Hub, Washer and Roll Pin.
K2	K72-19974	Output Shaft Kit Complete with: Output Shaft, Sprocket Assembly, Dual Sprocket 32/14, Sprocket 48B18x1", Sprocket 50B12x1", E-Ring, Washer, Key, Set Screw 5/16"-18, Roll Pin and Thin Walled Receiver.

NOT SHOWN

71-B120H	Brake Kit, 115 Volt Models
71-B208H	Brake Kit, 208 Volt Models
71-B240H	Brake Kit, 230-460 Volt Models
71-B575H	Brake Kit, 575 Volt Models
Complete with: Brake Hub Kit, Brake Release Lever, Brake Disk, Spring Cup, Studs, Compression Springs, Brake Solenoid, Solenoid Cover, Spacers, Mounting Plate, Pressure Plate, Feather Key and Conduit.	
K73-HJFRAME-L	HJ Frame Kit, Left Hand
K73-HJFRAME-R	HJ Frame Kit, Right Hand

Individual Parts

ITEM	PART#	DESCRIPTION
1	11-19473	Clutch Shaft - HJ
2	12-19504	Keyed Flange Bearing 1"
3	15-30822	Dual Sprocket 32/14*
4	15-19484	Splined Core Sprocket
5	18-11379	Compression Spring
6	18-30957	Compression Spring
7	75-10884	Chain Wheel Assembly
8	K75-19985	Pulley Assembly
9	39-10167	Clutch Pad
10	10-10882	Chain Guide
10A	12-10883	Nyliner Bearing
10B	12-10882	Bushing .753 I.D. x 5/8"
10C	80-10883	Washer Spacer
11	80-19846	Splined Hub
12	15-19478	Sprocket Assembly
13	15-48B18LGE	Sprocket 48B18x1"
14	15-50B12LGH	Sprocket 50B12x1"
15	16-5L304	Cogged Belt 30.4"
16	K75-19978-L	Frame Kit (LH)
17	K75-19978-R	Frame Kit (RH)
18	K75-19977	Arm Kit - Right
19	K75-19981	Arm Kit - Left
20	17-6014	Motor Pulley

ITEM	PART#	DESCRIPTION
21		
1/3HP	K20-1033B-2LP	Motor - models HJ3311L4, HJ3321L4
	K20-3033B-4P	Motor - models HJ3323L4, HJ3343L4
	K20-3033M-5	Motor - model HJ3353L4
1/2HP	K20-1050B-2LP	Motor - models HJ5011L4, HJ5021L4
	K20-3050B-4P	Motor - models HJ5023L4, HJ5043L4
	K20-3050M-5	Motor - model HJ5053L4
3/4HP	K20-1075B-2P	Motor - models HJ7511L4, HJ7521L4
	K20-3075B-4P	Motor - models HJ7523L4, HJ7543L4
	K20-3075M-5	Motor - model HJ7553L4
1HP	K20-1100B-2LP	Motor - models HJ1011L4, HJ1021L4
	K20-3100B-4P	Motor - models HJ1023L4, HJ1043L4
	K20-3100M-5	Motor - model HJ1053L4
22	23-10916	Interlock Switch
NOT SHOWN		
	19-48047M	Roller Chain, #48x47 Pitch with Master Link

